

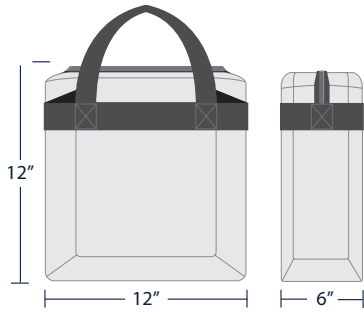


NATIONAL PRO FASTPITCH CLEAR BAG POLICY

A SAFER, FASTER FAN EXPERIENCE

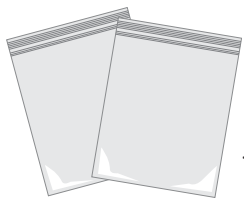
NPF'S "clear bag" policy will be in effect for all Championship Series venues and is aimed to speed up gate entries and enhance fan safety.

APPROVED



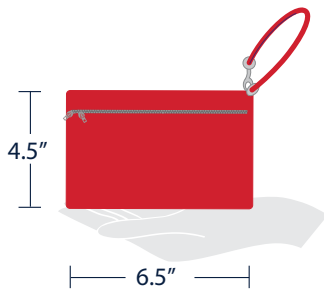
CLEAR TOTE

Plastic, Vinyl, or PVC and no larger than 12" x 6" x 12"



PLASTIC ZIP TOP BAG

No larger than 1 Gallon • Re-Sealable • Clear



SMALL CLUTCH PURSE

No larger than 4½ x 6½"



SEAT CUSHION

No pockets and no larger than 16"

PROHIBITED BAGS



BRIEFCASE



BACKPACK
Solid or Clear



PURSE



OVERSIZED TOTE BAG



FANNY PACK



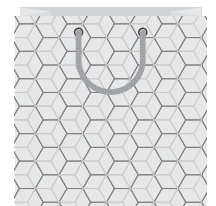
CAMERA CASE



REUSABLE GROCERY TOTE



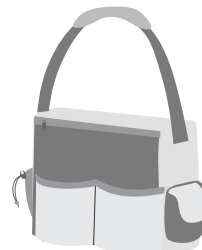
DUFFEL BAG



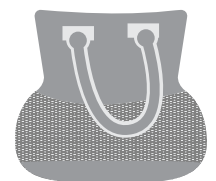
PRINTED PATTERN PLASTIC BAG



TINTED OR TEXTURED BAG



DIAPER BAG



MESH BAG



DRAWSTRING/ CINCH BAG

ALL ITEMS ARE SUBJECT TO SEARCH

All prohibited items will be denied at the gates & items may not be stored at or near Parkway Bank Sports Complex. NPF is NOT responsible for lost/stolen articles. All policies are available on profastpitch.com